

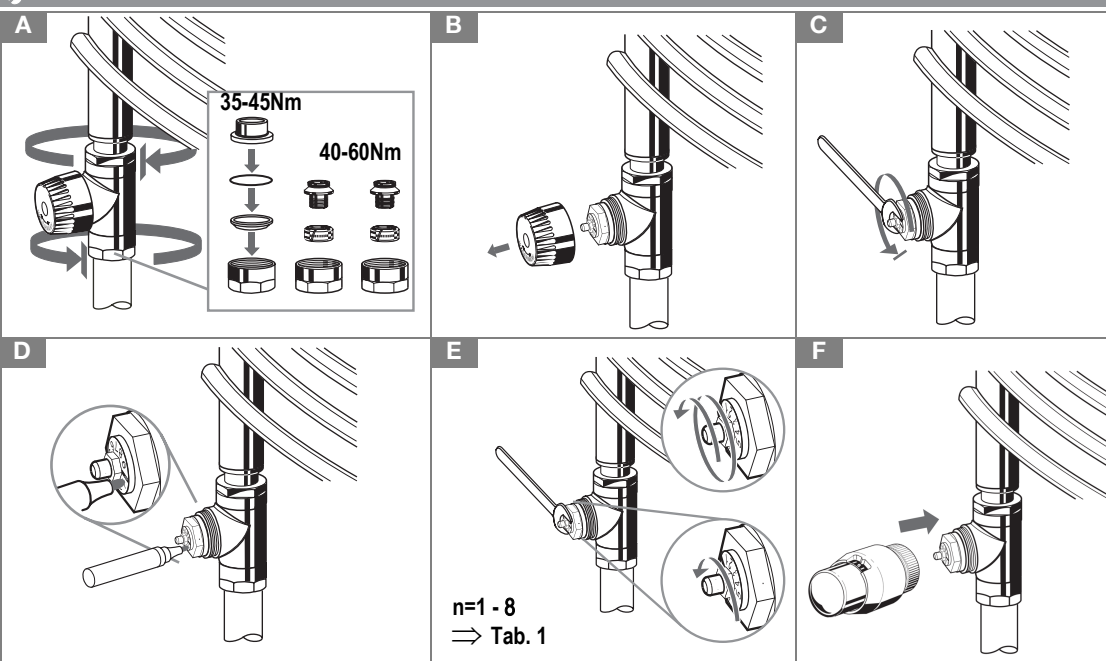
## V2081, V2082



	2 - 100 °C (36 - 212 °F) Max. 10 bar (145 psi)
--	---



V2081ESL15A V2082ESL15A 	V2081DSL15A V2082DSL15A 	V2081RSL15A V2082RSL15A 	V2081LSL15A V2082LSL15A 
--------------------------------	--------------------------------	--------------------------------	--------------------------------



**Tab. 1**

n	1	2	3	4	5	6	7	8
Q <sub>nom</sub> , 2K p-band [kg/h]	-	20	100	200	300	300	300	300
kvs [m <sup>3</sup> /h]	-	0.06	0.32	0.65	1.2	1.5	1.7	1.9



	FEM24C12 FEM24C14 FEM24C15 FEM24C16		VA2201D012 VA2201D014 VA2201D015 VA2201D016 VA2201D018 VA2201D020
	FEM24P14X2 FEM24P16X1.5 FEM24P16X2 FEM24P18X2		VA2201E012 VA2201E014 VA2201E015 VA2201E016 VA2201E018 VA2201E020
	FEM24M14X2 FEM24M16X2 FEM24M18X2 FEM24M20X2		T4021 T4221
	VA2200C001 VA2200C002		

**For more information**  
[homecomfort.resideo.com/europe](http://homecomfort.resideo.com/europe)



Ademco 1 GmbH  
 Hardhofweg 40  
 74821 MOSBACH  
 GERMANY  
 Phone: +49 6261 810  
 Fax: +49 6261 81309

Manufactured for and on behalf of the  
 Pittway Sàrl, La Pièce 4, 1180 Rolle, Switzerland  
 by its Authorised Representative Ademco 1 GmbH  
 MU2H-2108GE25 R1120  
 Subject to change  
 © 2020 Pittway Sàrl. All rights reserved.  
 This document contains proprietary information of  
 Pittway Sàrl and its affiliated companies and is  
 protected by copyright and other international  
 laws. Reproduction or improper use without specific  
 written authorisation of Pittway Sàrl is strictly  
 forbidden. The Honeywell Home trademark is used  
 under license from Honeywell International Inc.