



MR6-024-2POS, MR6-024-010 6-Way Rotary Valve Actuator



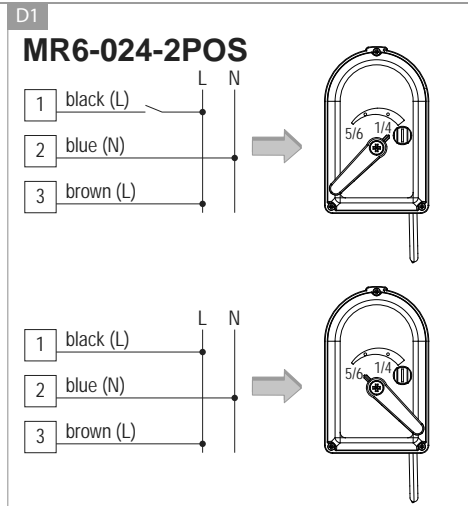
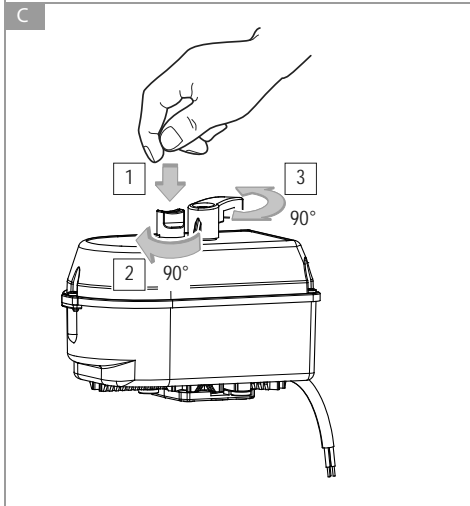
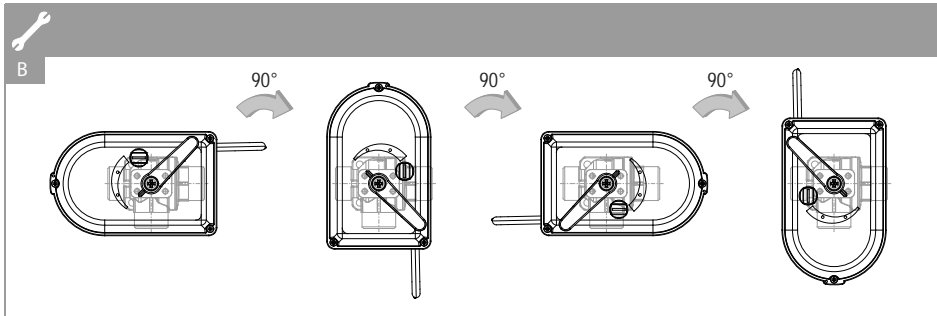
LVD 2014/35/EC
EMC 2014/30/EU
RoHS 2011/65/EC

CE EAC

MR6-024-2POS
MR6-024-010

VBG6-15
VBG6-20
VBG6-20HF

A



D2

MR6-024-010

24 VAC, 50 Hz

| | | |
|----|---|---|
| SN | black - GND | → |
| X | Output Signal 0 - 10 VDC red - X (+) | → |
| Y | Control Signal 0 - 10 VDC, 4 - 20mA blue - Y (+) | → |
| SP | brown | → |

| | | |
|-----|-------|------|
| DIP | CCW ↺ | CW ↻ |
| 1 | OFF | ON |

| | | |
|-----|-----|----|
| DIP | ↙ | ↘ |
| 2 | OFF | ON |

| | | | | |
|-----------------------|--------------------------|-----------------------|--------------|--------------|
| DIP | 0,16 - 9,84V 0 - 20mA | 2 - 9,84V 4 - 20mA | 0,16 - 4,88V | 5,12 - 9,84V |
| Con. sig. resolution: | 40mV | 40mV | 40mV | 40mV |
| 3 | OFF | OFF | ON | ON |
| 4 | OFF | ON | OFF | ON |

| | | |
|-----|------|-------|
| DIP | U(V) | I(mA) |
| 5 | OFF | ON |



Ademco 1 GmbH, Hardhofweg 40,
74821 MOSBACH, GERMANY

Phone: +49 6261 810
Fax: +49 6261 81309

For more information
homecomfort.resideo.com/europe

Distributed by Pittway Sàrl, Z.A.,
La Pièce 4, 1180 Rolle, Switzerland